

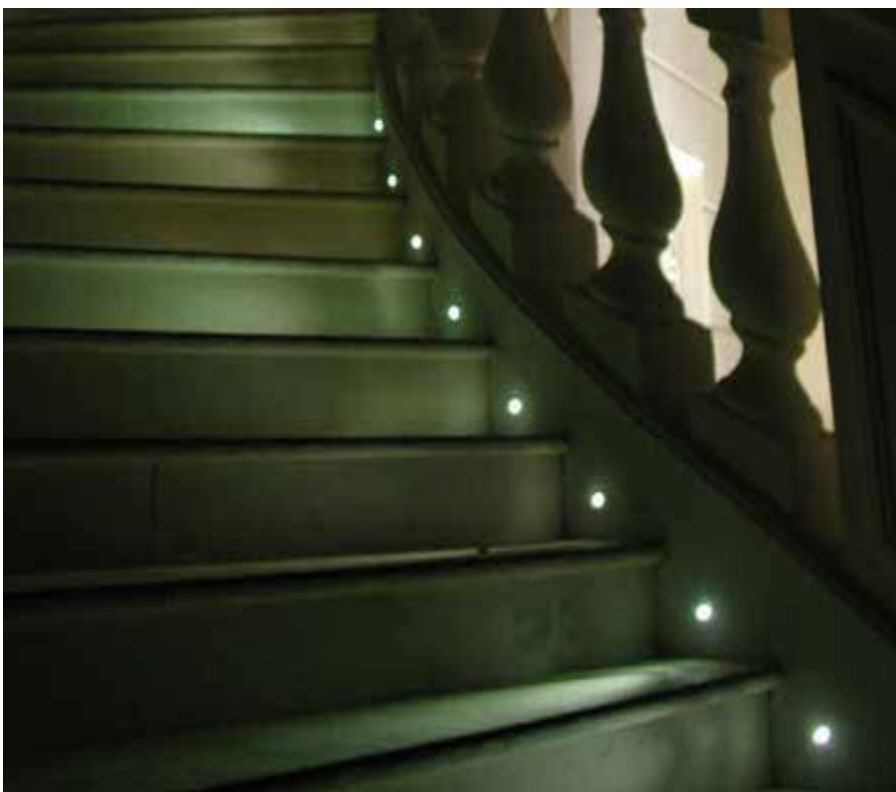
LED Strip Datasheet

Specialty-Side View Series

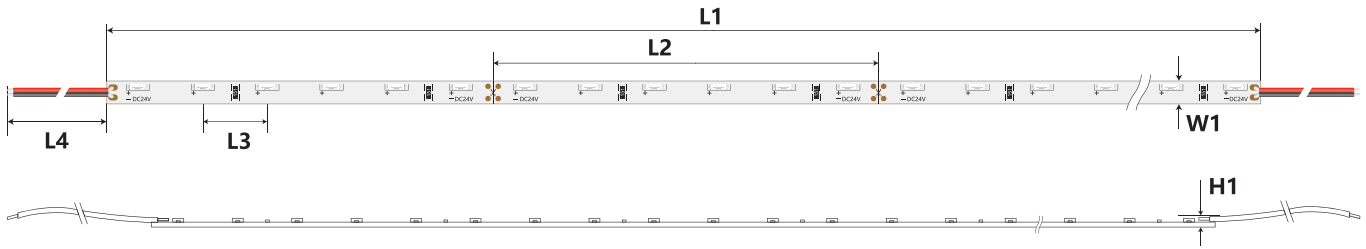
19.2W per/m
 DC Output: 24VDC/12VDC
 Diodes: SMD2835/5050
 Life Span: 50000 Hours



Product Code	Power [W/M]	Diodes Type	IP Rating	CCT-[Lumen/Meter]				Led Qty [LED/M]	CRI	PCB SIZE		
				WW 2200K	WW 2700K	NW 4000K	CW 6000K			Cutting points(mm)	Width (mm)	Height (mm)
ALSTP315-4.8W60sR90P20	4.8	315	IP20	400	420	500	540	60	>90	100	8	1.2
ALSTP315-7.2W96sR90P20	7.2	315	IP20	620	650	750	810	96	>90	62.5	10	1.2

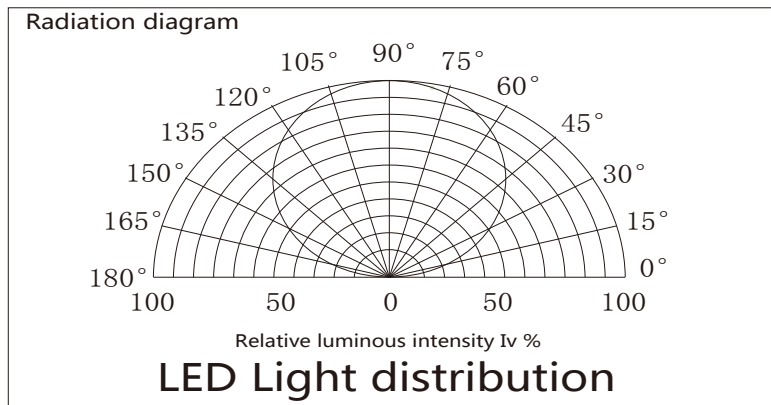


Details:



	FE05WS-P0-G1 31Z9x 24V60S W08L05	FE08WS-P0-G1 31Z9x 24V96S W08L05	Tolerance
L1(mm)	5004	5004	±10
L2(mm)	100	62.5	±1
L3(mm)	16.7	10.4	±0.2
L4(mm)	360	360	±5
W1(mm)	8	8	±0.1
H1(mm)	1.2	1.2	±0.1

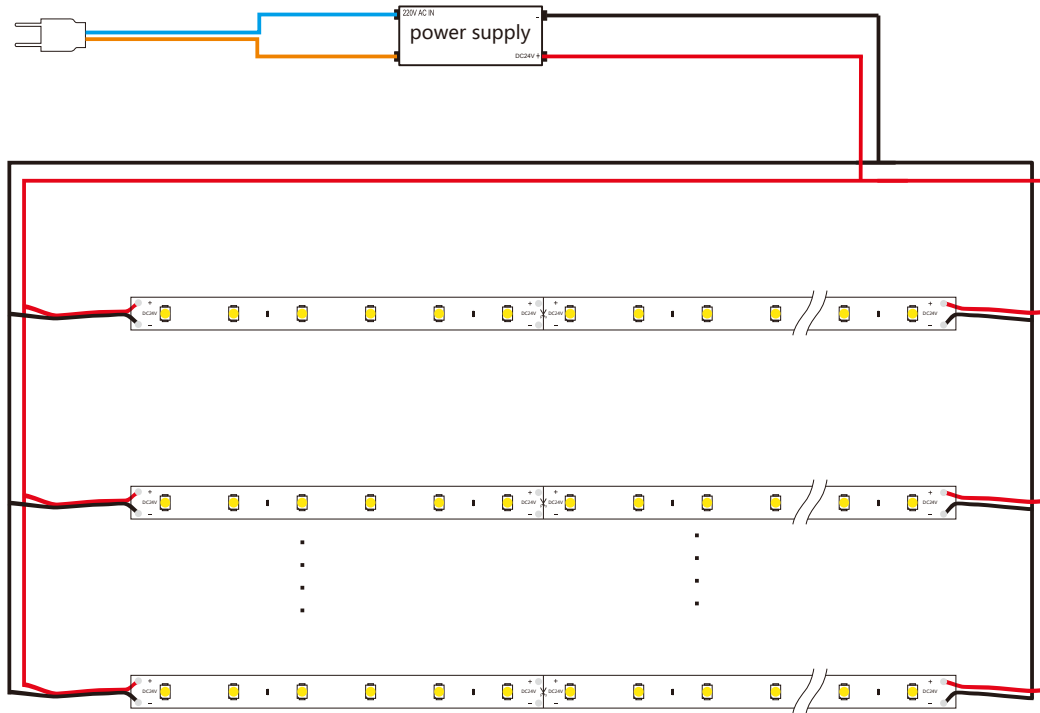
Lamps and lanterns light intensity curve



Working Conditions:

Working Temperature (°C)	-20~50
Storage Temperature(°C)	-30~80
Voltage Range(V dc)	23 ~25
Reverse Voltage(V dc)	25

connection ways



Package Details

	FE05WS-P0-G1 31Z9x 24V60S W08L05	FE08WS-P0-G1 31Z9x 24V96S W08L05
Box dimension(mm)	485x260x380	485x260x380
Carton dimension(mm)	360x240x240	360x240x240
Gross weight(Kg)	/	/
Net weight(Kg)	/	/
Bag weight(g)	/	/
Bag quantity(bags/carton)	25	25